

MT-206/MT-207



Trolley

Assembling Instruction

Manual Ver: 1.0

Release Date: March 2010

Part Number: 01.54.455060-10

 **WARNING** 

- 1 Assembling or disassembling of the trolley should be performed by service personnel authorized by the manufacturer.
- 2 The maximum load of the top splint is 8 kg. Do not put heavy objects on it or lean on it.
- 3 The overall check of the trolley, including the safety check, should be performed only by qualified personnel once every 6 months, and each time after fixing up.
- 4 The trolley and accessories are to be disposed of according to local regulations after their useful lives. Alternatively, they can be returned to the dealer or the manufacturer for recycling or proper disposal.
- 5 Use a crosshead screw driver to secure all the screws tight when assembling the trolley.

 **CAUTION** 

When adjusting the stand post, be careful not to trap your fingers.

NOTE:

- 1 The following figures take M3 for example. The trolley can also be used for M3B, M9, M9A, M9B, M8, M8A or M8B monitor by using a proper link board.
- 2 Make sure the casters can rotate normally before the setup.
- 3 Make sure the trolley is firmly assembled and is in good condition before applying the monitor to it.



Casters

Chassis

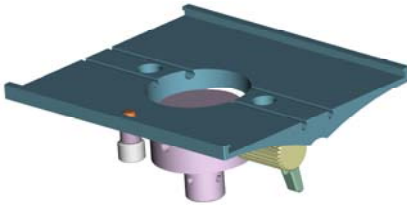
Handrail basket

Top splint and link board

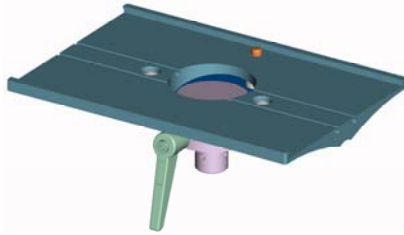


Stand post

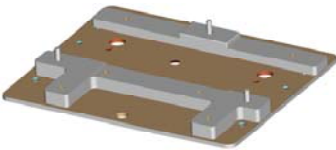
Major Parts



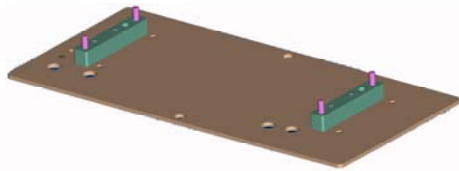
M3/M3B top splint assembly



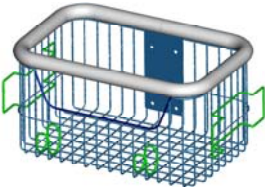
M9/M8 series top splint assembly



M3/M3B link board assembly



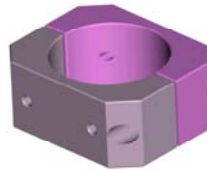
M9/M8 series link board assembly



Handrail basket



Lower basket (optional)



Basket flange (optional)



Stand post

Accessories



A



B



C



D E F



G



H



I (M3)



I (M9)



J

Accessory list:

Item	Description	Qty. (pcs)
A	Φ12 Normal type spring washer	5
B	Φ12 Normal type plain washer	5
C	3-inch Medical caster	5
D	M10×50 bolt	1
E	Φ10 Normal type spring washer	1
F	Φ10 Normal type plain washer	1
G	M6×25 spacing bolt	1
H	Cross recessed pan head screw M5×14	4
I	Cross recessed countersunk head screw M4×25 (only available for MT-207 fixed with M9/ M8 series monitors)	4
	Cross recessed pan head screw M3×12 (only available for MT-206 fixed with M3/ M3B monitors)	3
J	17# normal open spanner	1

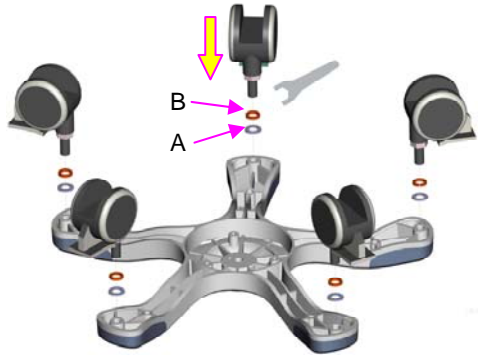
NOTE:

- 1 The I screws used for M3/M3B and M9/M8 series monitors are different.
- 2 The lower basket and flange should be used at the same time.
- 3 More screws are provided for standby in the package. Refer to the above table for the actual numbers of screws required in installation.

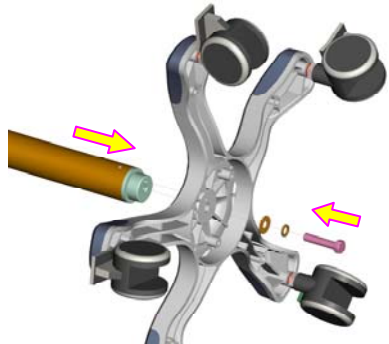
Procedure for Assembling Trolley:

1 Open the package and collate all the parts with the packing list.

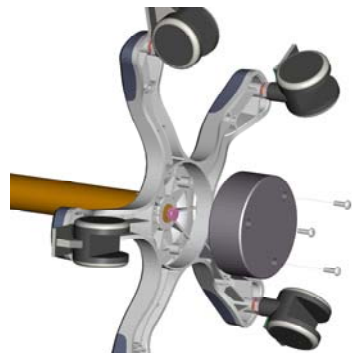
2 Take the chassis assembly out and upturn it on the packing foam. Put a B washer and then an A washer on the bolt for each caster. Tighten the five C casters to the chassis using the provided spanner.



3 Tilt the chassis, and insert stand post assembly into the groove of the chassis. Make sure they are fixed well. Install the D bolt, E washer and F washer, then tighten them from the center hole in the chassis.



4 For MT-207 Trolley, a balancing weight is installed on the chassis. You should take it off first. After installing the stand post as shown in step3, fix the balancing weight back to chassis by using three screws.

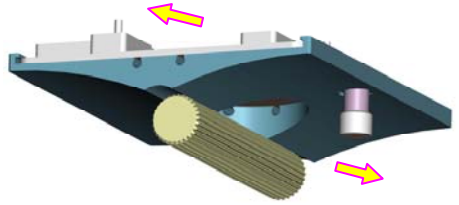


NOTE:

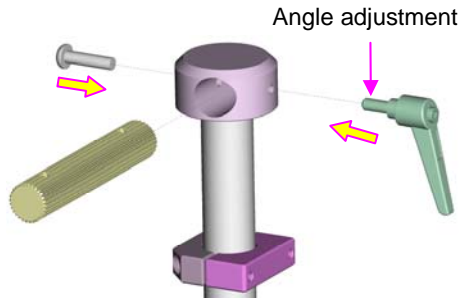
The caster has a pedal on it. You can step on it to stop the trolley, while push it up to move the trolley.



5 The top splint and link board are assembled together in package. Pull downwards the pin on the top splint, hold to slide them apart.



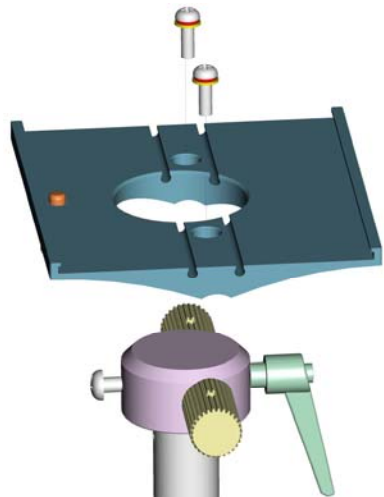
6 Loosen two screws on the top splint to take off the rotary axis, then pull the rotary axis through the flange hole of lifter rod. Insert the L-shape angle adjustment handle and a G screw into the two holes of flange, but do not tighten them.



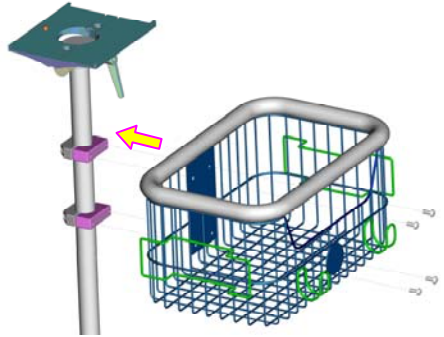
NOTE:

Put the L-shape angle adjustment handle at the thinner side, while the G screw on the other side.

7 Put the top splint on the flange of lifter rod. Make sure it faces the hole of rotary axis, then fix them well with two screws taken off in step 6. Tighten the L-shape angle adjustment handle and the G screw.



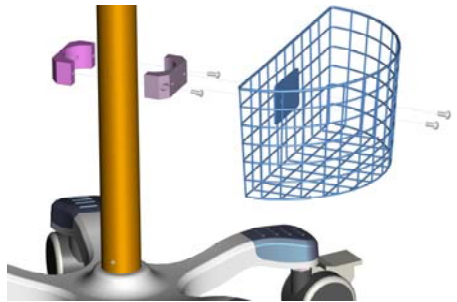
8 Level the handrail basket at the top two concave blocks and fix them with four H screws.



NOTE:

The edge of the handrail basket can be used as a handle to move the trolley.

9 The lower basket and its concave block are optional. First, install the concave block to a proper height of the stand post using two H screws. Then level the lower basket at the holes on the concave block and fix them with two H screws.



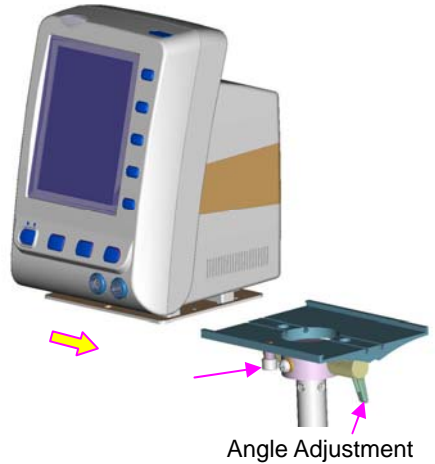
The assembly of trolley is finished.

Fixing the Monitor to the Trolley

1 Upturn the monitor. Align the link board with the wall-mounting holes & screw holes. Fix them with three I screws.



2 Lift the monitor and slide the link board into the groove of the top splint sideways. When the board goes halfway, pull down the pin on the back of the top splint to allow the board to go through. Keep pushing the board in until the pin rebounds and clicks into the hole. The edges of the Link board and the top splint should match perfectly at this moment.

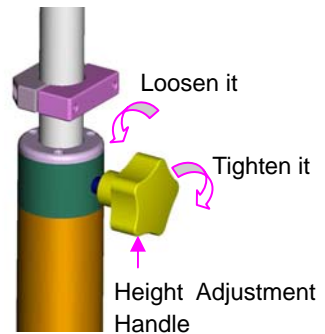


Adjusting the Height of the Trolley:

⚠ WARNING ⚠:

For your safety, you'd better take off the monitor and link board before adjusting the height of trolley. Then hold the lifter rod steadily to avoid hurting yourself.

- 1 Hold the lifter rod steadily, anticlockwise rotate the height adjustment handle to loosen the rod, then adjust the height.
- 2 After adjusting, clockwise rotate the handle to tighten the lifter rod.



Adjusting the Angle of the Top Splint:

1 Hold the top splint steadily, anticlockwise rotate the L-Shape angle adjustment handle to loosen it. If the handle can not be rotated for being obstructed by the top splint, pull it out for about 2mm and anticlockwise rotate it again. Then adjust the top splint to a proper angle.

- 2 After adjusting, clockwise rotate the handle to tighten it.

